

FRAMING AND PARTITION SYSTEMS



WallMaker®

Create an unlimited variety of bright, beautiful and secure interior environments with the easy-to-install Stylmark WallMaker glass wall system. This versatile system consists of headers, sills, mullions, and corner assemblies that allow you to create a multitude of glass wall configurations. With minimal parts and a simple snap-together assembly process, installation of WallMaker is fast and easy. WallMaker components can be anodized to meet all your color specifications.

Glass Clips

Stylmark's glass clips provide added strength to interior glass walls by holding the panels of glass in line with one another. The clean, simple lines of our clips also enhance the appearance of glass walls, and they can be ordered in a variety of colors and finishes to complement your WallMaker system.

Porsa™ Framing System

Porsa™ is the only aluminum extrusion framing system that accepts 13mm thick in-fill panels, making it ideal for merchandising systems, wall units and other applications requiring strength, stability and dependability.

Post & Panel System

Stylmark post and panel systems are stylish and timeless in design. They feature all aluminum components that can be mixed and matched to give the look you are trying to achieve. The post and panel system is designed to piece together allowing for easy installation, changeability and structural integrity.

Wardrobe Doors

Wardrobe Doors from Stylmark are designed to give years of trouble free service. Wheel assemblies are incorporated into the bottom rail, providing a smooth-rolling, long-lasting unit. Additional features include cantilevered rollers to easily accommodate out-of-plumb field conditions and optional security door styles to provide additional protection.



Framing & Partition Systems

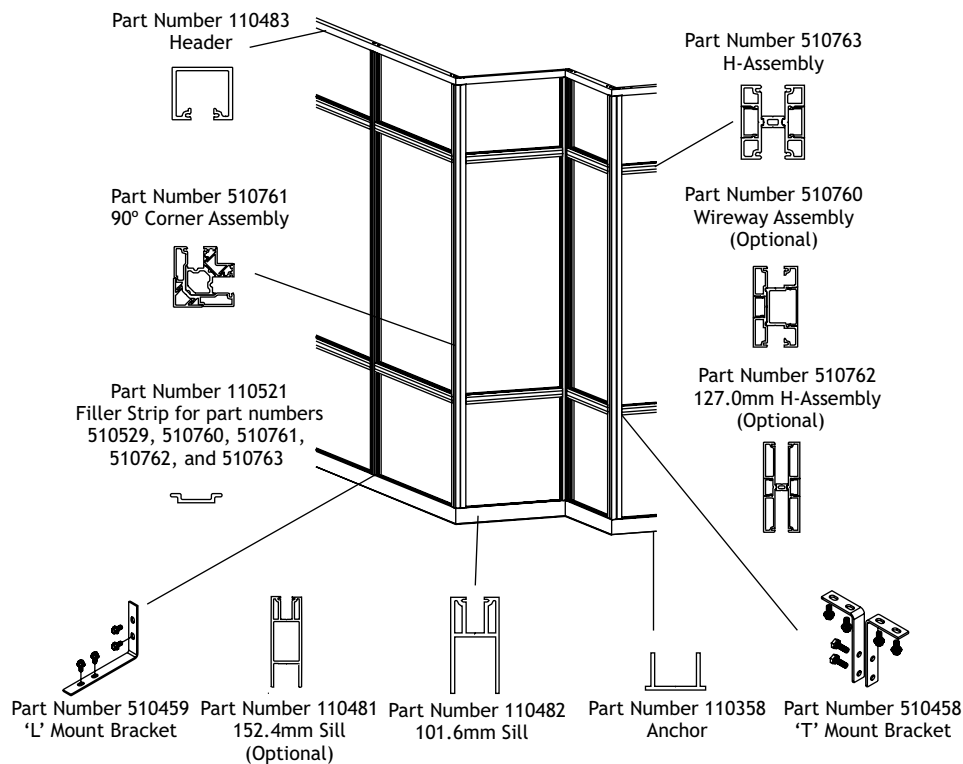
Stylmark offers a variety of products that are custom tailored for framing applications, including WallMaker® interior wall systems, Porsa™ Framing System, post & panel system and wardrobe doors. We utilize our color and design expertise to integrate these products into their surroundings, giving an attractive and inviting appearance. This ensures the products you order will fit perfectly into both new and existing environments.

WallMaker®	2
Glass Clips	8
Porsa™ Framing System	10
Post-in-Panel System	13
Wardrobe Doors	15

WallMaker®

Our WallMaker system includes versatile interior store front components that offer the quality you expect from Stylmark. Extrusions are designed for 12.7mm or 9.5mm glass and may be ordered in standard 3657.6mm stock lengths or made-to-order lengths. Headers and sills are available in a variety of configurations to maximize design flexibility. One of WallMakers greatest assets is its ease of installation. With few parts, no exposed fasteners and a simple snap-together process, you can create a beautiful, unique glass wall in no time.

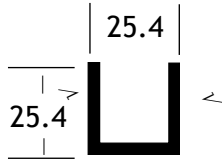
ORDERING WALLMAKER							
SILLS & ANCHOR	#110361 25.4 SILL 	#110375 101.6 SILL 	#110481 152.4 SILL 	#110482 101.6 SILL 	#110568 101.6 SILL NO ANCHOR 	#110698 101.6 SILL ANCHOR 	#110697 ANCHOR
HEADERS	#110359 	#110399 	#110483 	#110434 	#110360 	#110700 	
VERTICAL POSTS	#110215 	#510529 	#510763 	#510761 	#510762 	#510760 	#110699
SETTING BLOCKS	#226015 15.9 X 6.4 X 101.6 SETTING BLOCK 		#226014 15.9 X 12.7 X 101.6 SETTING BLOCK 				
ENDCAPS	#12.7 ENDCAP 		#3.2 ENDCAP 				
BRACKETS	90 DEGREE BRACKET FOR SILLS 		120 DEGREE BRACKET FOR SILLS 		135 DEGREE BRACKET FOR SILLS 		



WallMaker®

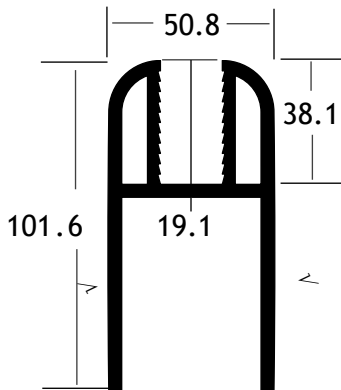
Sills and Anchors

Part #110361 Sill

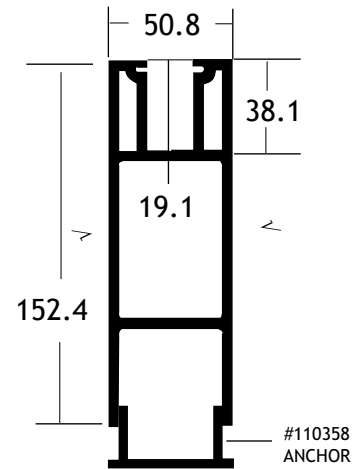


The glass height will be 38.1mm less than the overall unit height when using Sill #110361 with Header #110360.

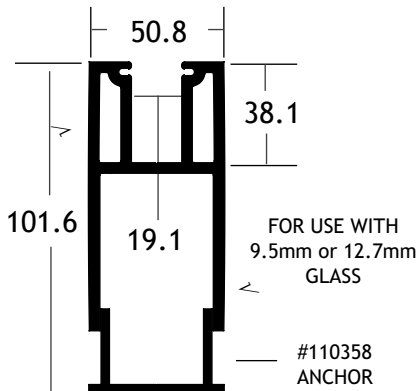
Part #110375 Sill
Part #110358 Anchor



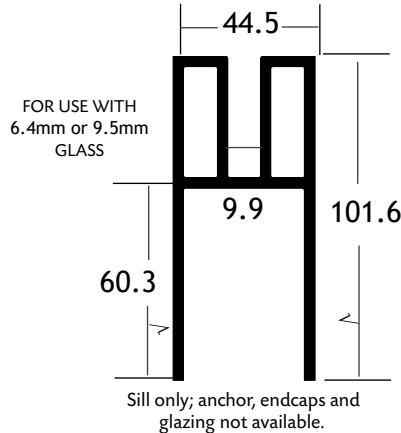
Part #110481 Sill
Part #110358 Anchor



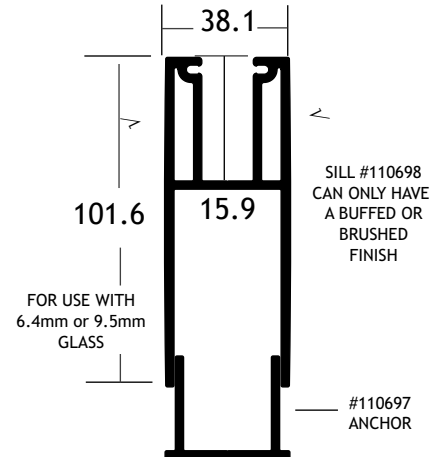
Part #110482 Sill
Part #110358 Anchor



Part #110568 Sill*



Part #110698 Sill**
Part #110697 Anchor**



GLASS SIZES FOR WALLMAKER	
SILL SIZE	GLASS SIZE
101.6	114.3 LESS THAN OVERALL HEIGHT
152.4	165.1 LESS THAN OVERALL HEIGHT

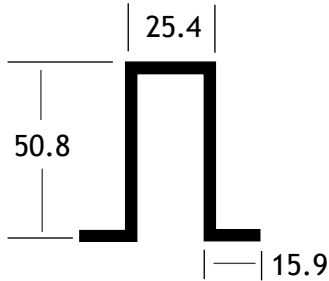
√ = finished surface

- Notes:**
- *Part #110568 Sill only; anchor, endcaps and glazing not available.
 - **Part #110698 and #110697 stock length is 3048mm.

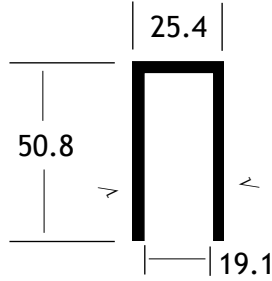
WallMaker®

Headers and Vertical Posts

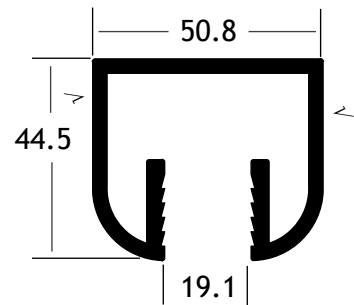
Part #110359
Header with Legs



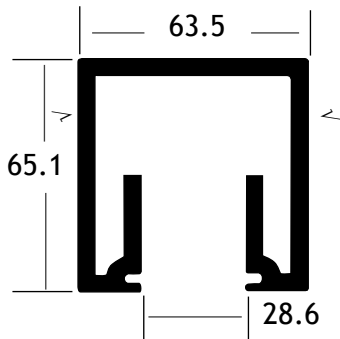
Part #110360
Header



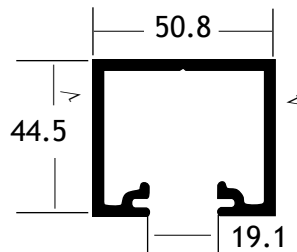
Part #110399
Header



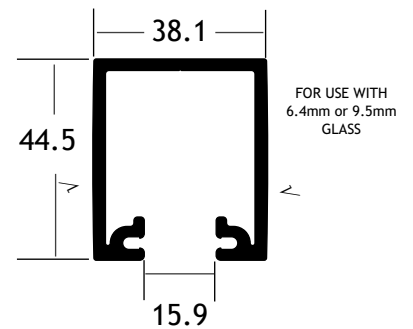
Part #110434
Deluxe Header for 19.1mm glass



Part #110483
Header

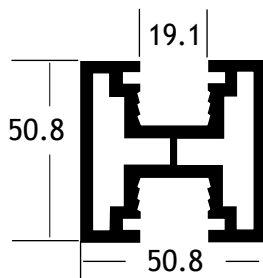


Part #110700*
Header

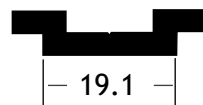


Vertical Posts

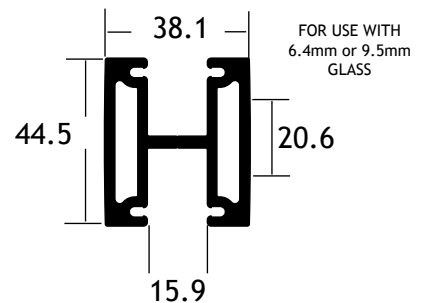
Part #110215
Vertical Post



Part #110194
Filler Strip for # 110215



Part #110699
Vertical Post



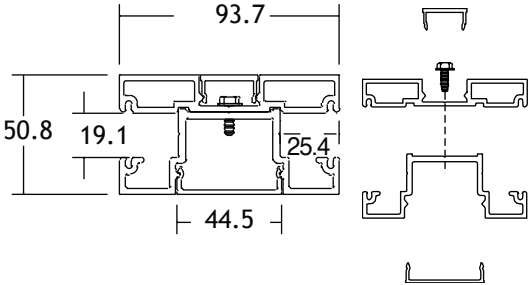
Notes: • *Part #110700 stock length is 3048mm.

√ = finished surface

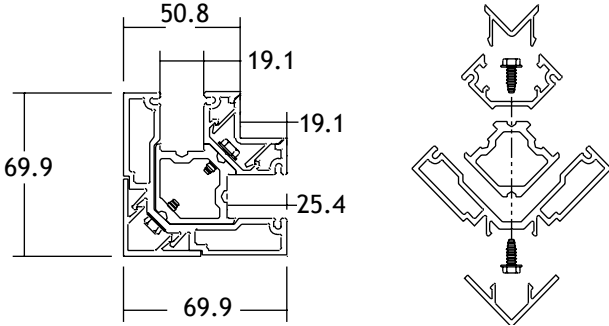
WallMaker®

Vertical Assemblies

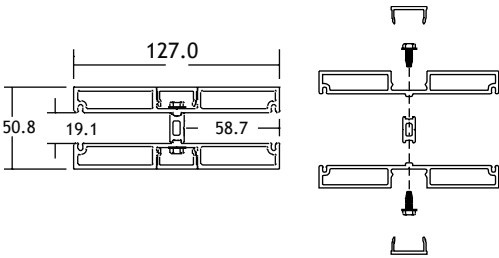
Part #510760
Wireway Assembly



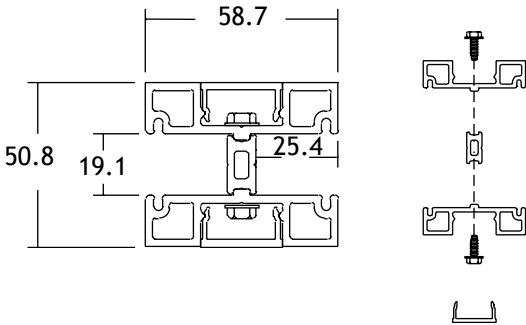
Part #510761
90° Corner Assembly



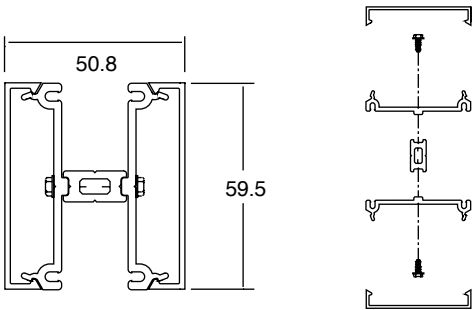
Part #510762
127.0mm H-Assembly



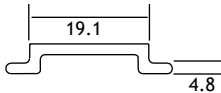
Part #510763
H-Assembly



Part #510529
Smooth H-Assembly



Part #110521
Filler Strip for part numbers 510529,
510760, 510761, 510762, and 510763

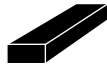


√ = finished surface

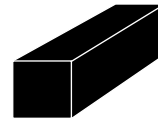
WallMaker®

Glazing Vinyl and Setting Blocks

Part #226015
15.9 x 6.4 x 101.6
Setting Block

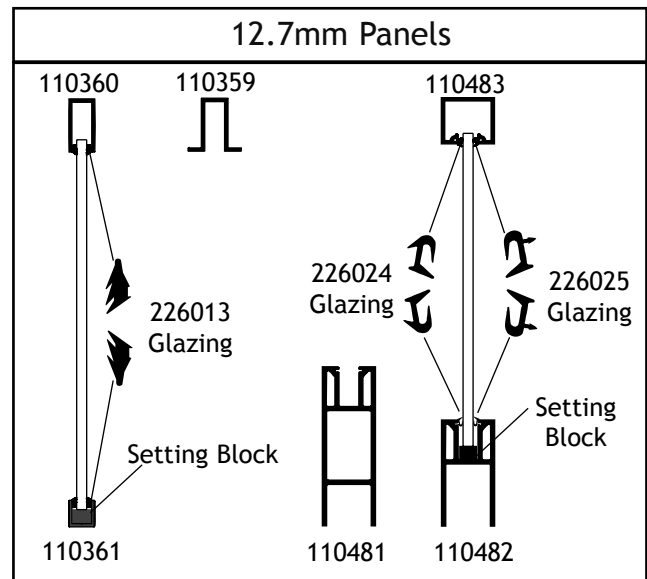
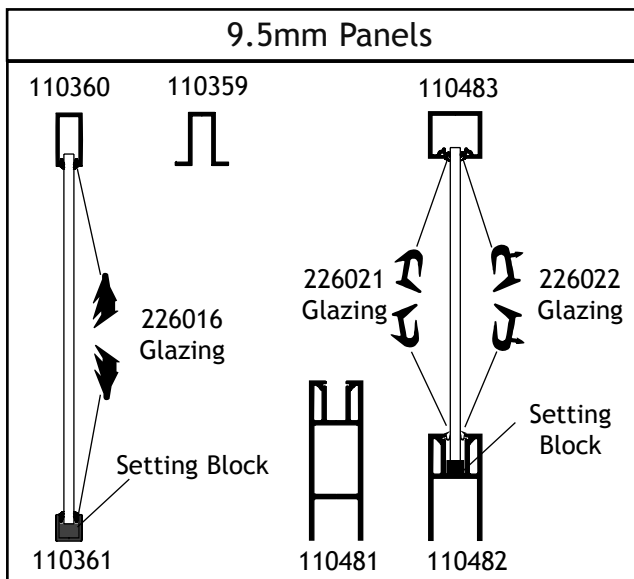


Part #226014
15.9 x 12.7 x 101.6
Setting Block



MODEL #	DESCRIPTION	6.4mm	9.5mm	12.7mm
110481	SILL	N/A	226021 & 226022	226024 & 226025
110375	SILL	N/A	226016	226013
110482	SILL	N/A	226021 & 226022	226024 & 226025
110698	SILL	226021 & 226022	226024 & 226025	N/A
110359	HEADER WITH LEGS	N/A	226016	226013
110360	HEADER	N/A	226016	226013
110399	HEADER	N/A	226016	226013
110483	HEADER	N/A	226021 & 226022	226024 & 226025
110700	HEADER	226021 & 226022	226024 & 226025	N/A

Note: Deluxe Header #110434 for 19.1mm glass uses #226021 & #226022 glazing vinyl.

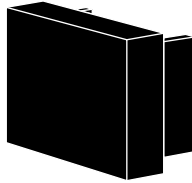


WallMaker®

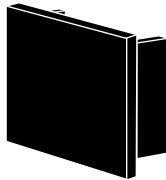
Endcaps

ENDCAPS			
PART#	DESCRIPTION	3.2mm ENDCAP	12.7mm ENDCAP
110360	HEADER	410412	N/A
110361	SILL	410413	N/A
110434	HEADER	410896	N/A
110481	SILL	410545	410544
110482	SILL	410367	410543
110483	HEADER	410366	410542
110568	SILL	411439	N/A

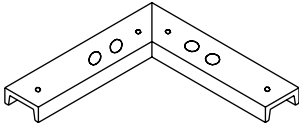
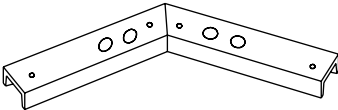
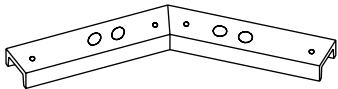
12.7mm Endcap



3.2mm Endcap



Brackets

BRACKETS		WITH SCREWS	WITHOUT SCREWS
90 DEGREE BRACKET		510274	310354-01
120 DEGREE BRACKET		510540	310354-03
135 DEGREE BRACKET		510440	310354-02

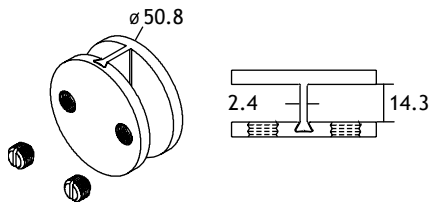
Glass Clips

Stylmark's Glass Clips provide added strength to interior glass walls by holding panels of glass in line with one another. These durable anodized aluminum clips provide decorative accents and accommodate 9.5mm or 12.7mm thick glass panels. The clips install easily with screws and plastic insulators protect the glass from fractures or chips. Pair Stylmark Glass Clips with our WallMaker system to ensure your interior glass wall meets city building codes and maintains a cohesive, high-quality look.

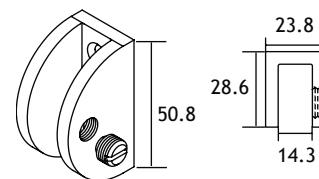
ORDERING GLASS CLIPS		
ASSEMBLY #	DESCRIPTION	GLASS THICKNESS (mm)
232045	RECTANGULAR - 135 DEGREE CLIP	9.5 OR 12.7
511008	RECTANGULAR - 90 DEGREE CLIP	9.5 OR 12.7
510571	SQUARE - 180 DEGREE CLIP	9.5 OR 12.7
510572	ROUND - 180 DEGREE CLIP	9.5 OR 12.7
510582	ROUND - 90 DEGREE WALL MOUNT	9.5 OR 12.7
510583	SQUARE - 90 DEGREE WALL MOUNT	9.5 OR 12.7
510584	ROUND - 90 DEGREE CLIP	9.5 OR 12.7
510585	SQUARE - 90 DEGREE CLIP	9.5 OR 12.7
510586	ROUND - 135 DEGREE CLIP	9.5 OR 12.7
510587	SQUARE - 135 DEGREE CLIP	9.5 OR 12.7
510955	RECTANGULAR - 180 DEGREE CLIP	9.5 OR 12.7

Round Glass Clips

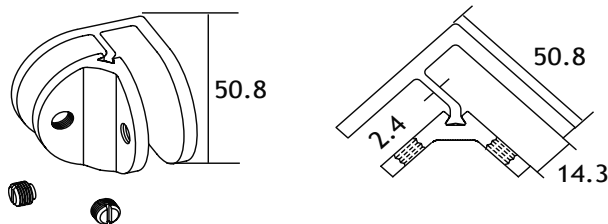
Part #510572
Round - 180° Clip



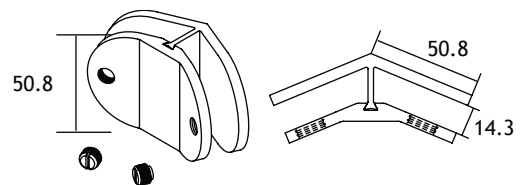
Part #510582
Round - 90° Wall Mount



Part #510584
Round - 90° Clip



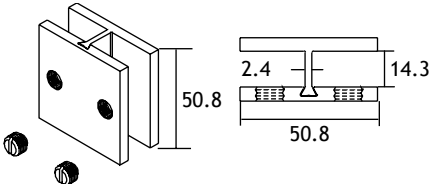
Part #510586
Round - 135° Clip



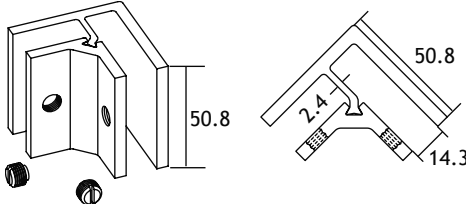
Glass Clips

Square Glass Clips

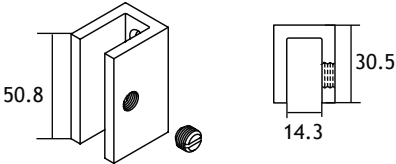
Part #510571
Square - 180° Clip



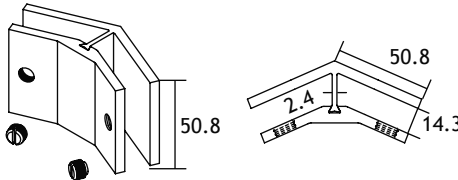
Part #510585
Square - 90° Clip



Part #510583
Square - 90° Wall Mount

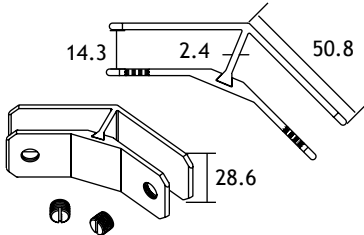


Part #510587
Square - 135° Clip

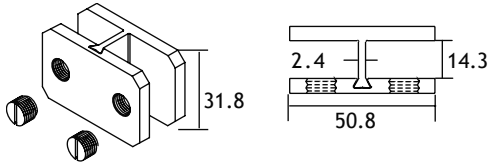


Rectangular Glass Clips

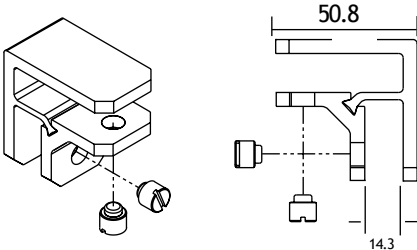
Part #232045
Rectangular - 135° Clip



Part #510955
Rectangular - 180° Clip

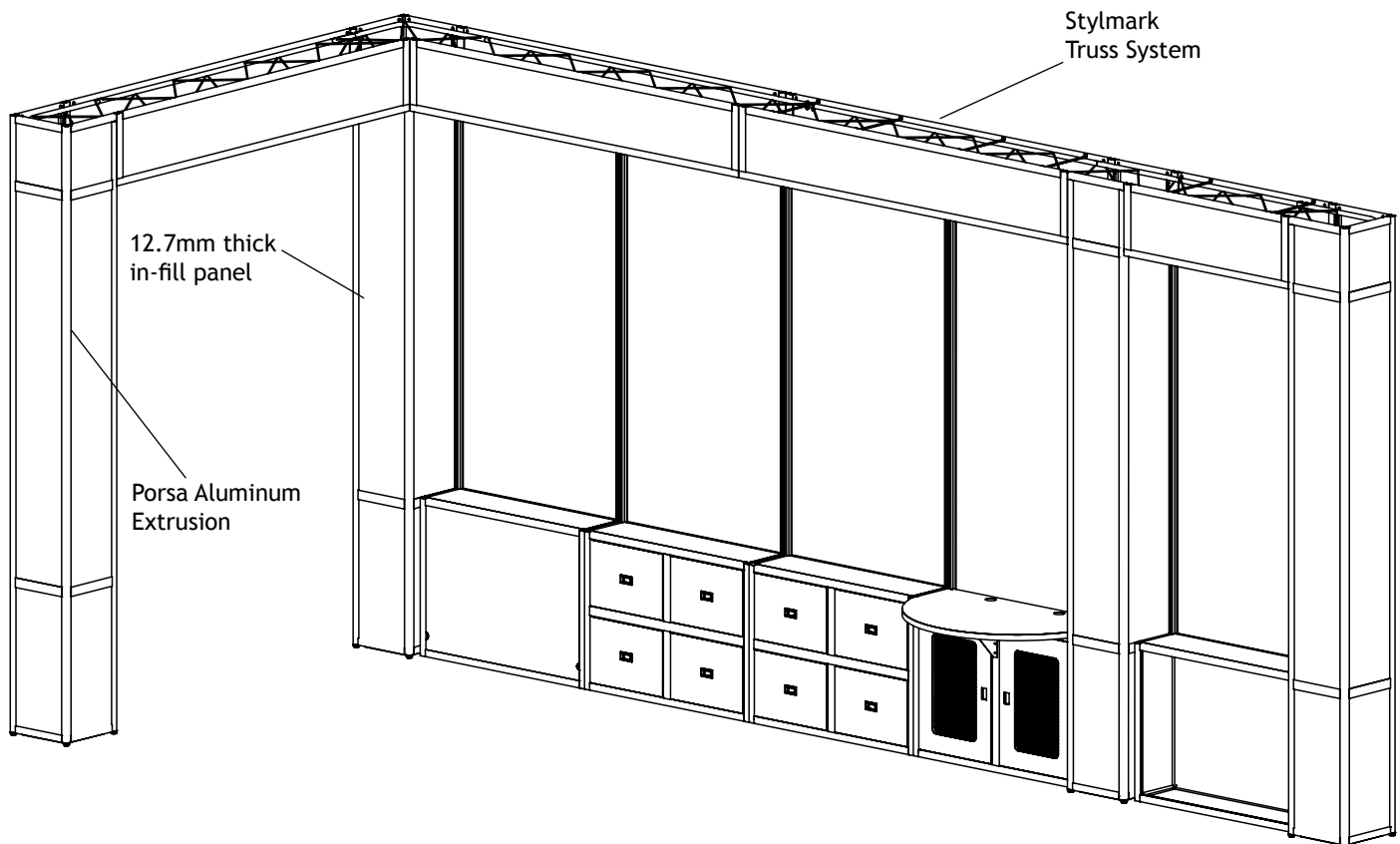


Part #511008
Rectangular - 90° Clip



Porsa™ Framing System

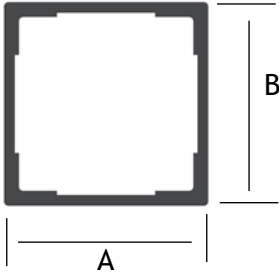
Stylmark is the authorized North American distributor of the Porsa™ Framing System of Denmark. Porsa™ is the only aluminum extrusion system that accepts a 12.7mm thick in-fill panel, making it ideal for merchandising systems, wall units and store-with-in-a-store applications. The Porsa™ provides great flexibility - the extrusions and in-fill panels can be reconfigured, changed and moved at a much lower cost than permanent walls or fixtures.



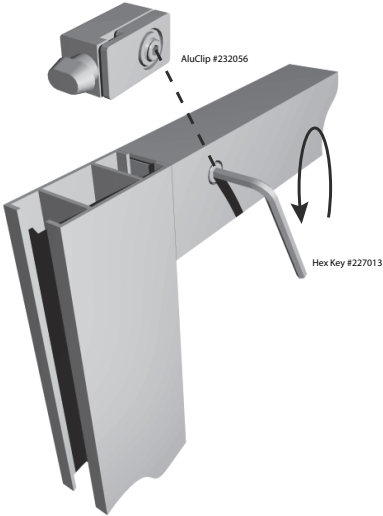
Prototype Framing System

- Notes:**
- Porsa extrusion sizes are nominal.
 - Cover caps are available to cover hex key hole.

Porsa™ Framing System



PART #	A	B	ENDCAP NUMBER
190001	25.4mm	25.4mm	N/A
190003	25.4mm	25.4mm	N/A
190007	66.7mm	25.4mm	N/A
190014	25.4mm	25.4mm	N/A
190015	25.4mm	25.4mm	241015
190019	25.4mm	38.1mm	241014
190022	50.8mm	50.8mm	241038
190023	25.4mm	50.8mm	241001
190026	25.4mm	50.8mm	241004



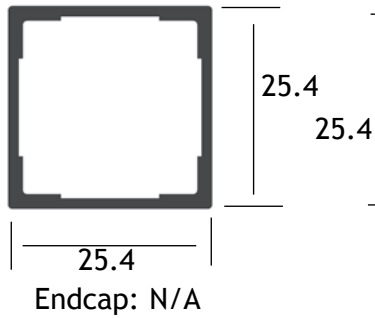
The AluClip connector system joins pieces using a simple HexKey.

Notes: • Porsa extrusion sizes are nominal.

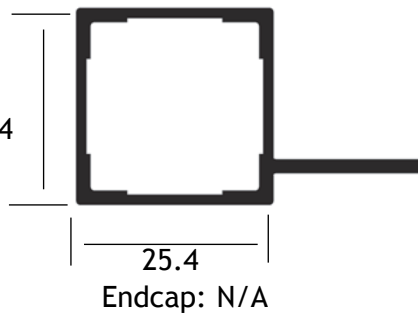
Porsa™ Framing System

Profiles

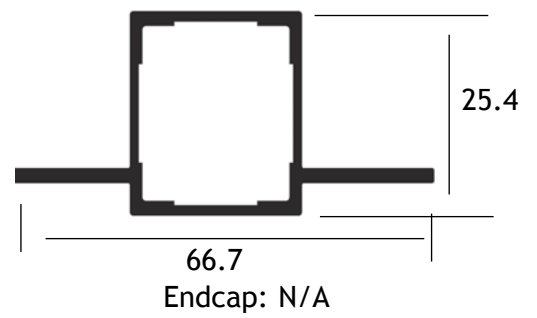
Part #190001



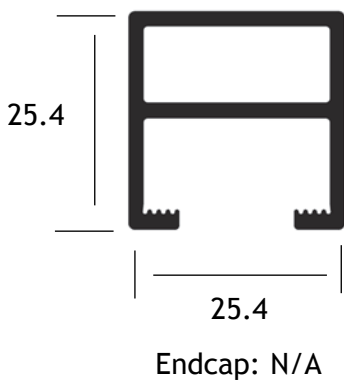
Part #190003



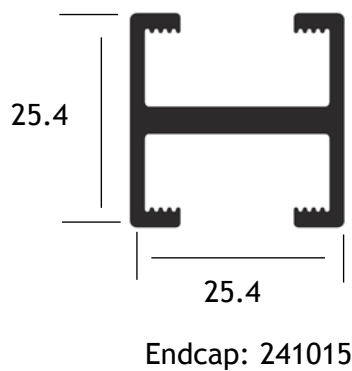
Part #190007



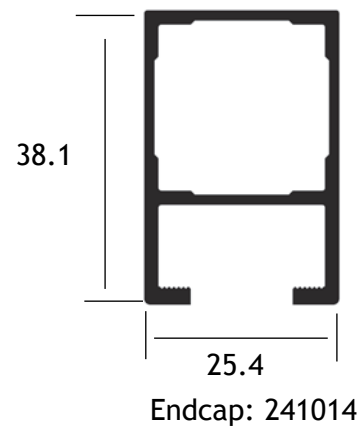
Part #190014



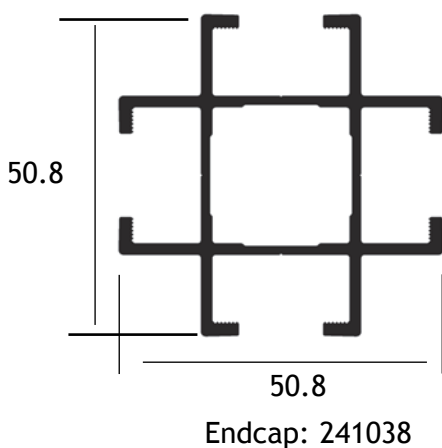
Part #190015



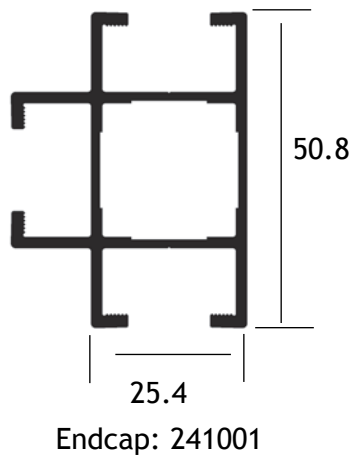
Part #190019



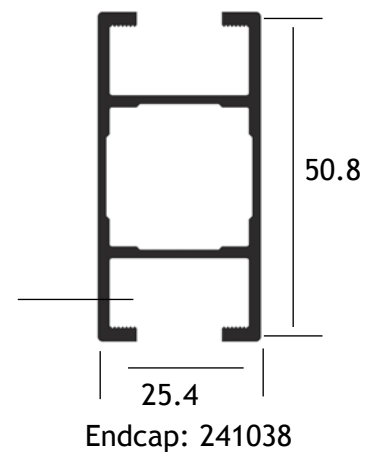
Part #190022



Part #190023



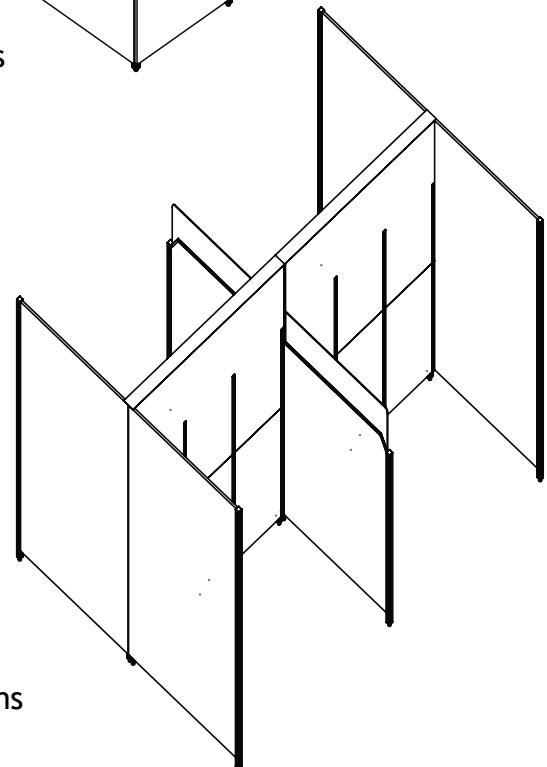
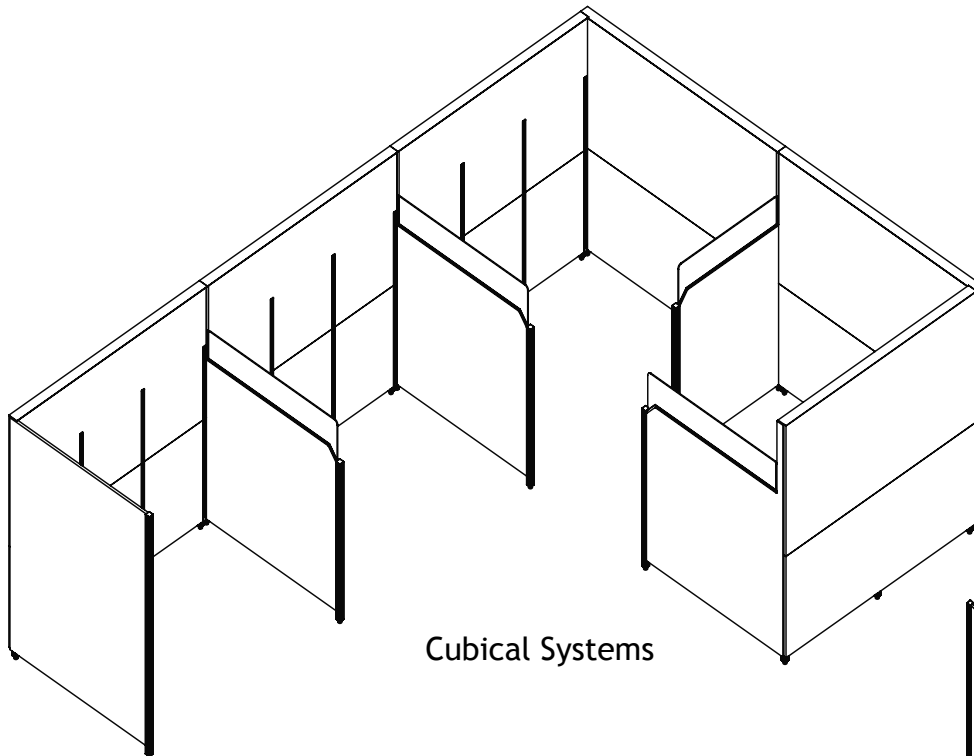
Part #190026



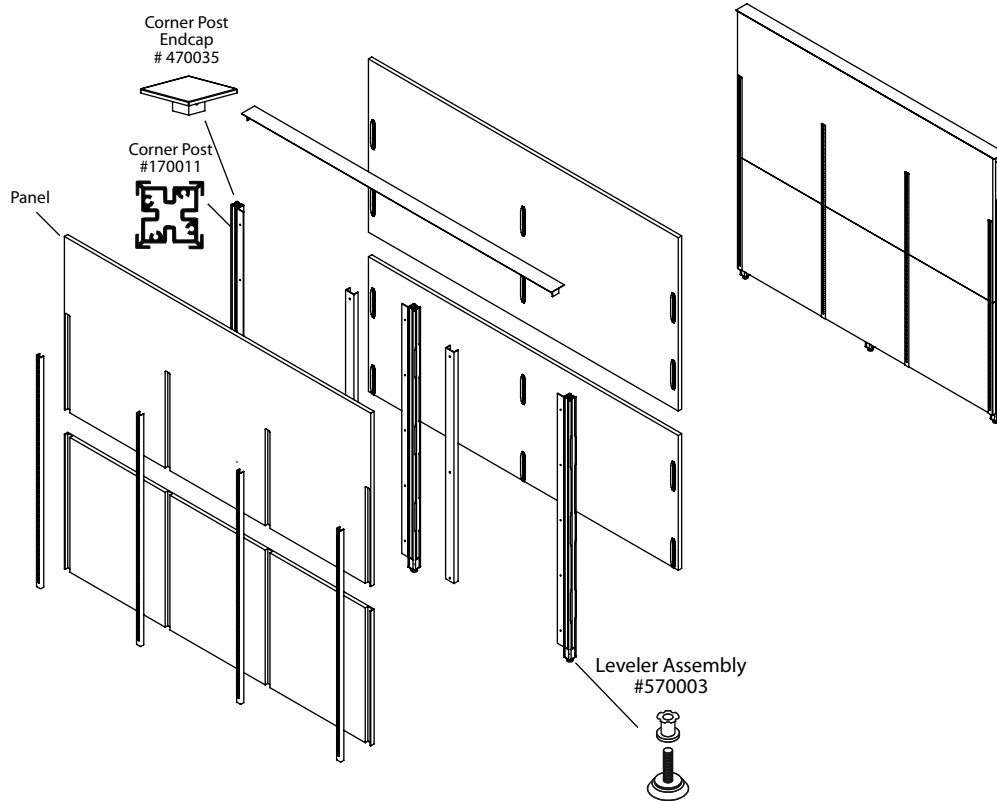
Notes: • Porsa extrusion sizes are nominal.

Post and Panel Systems

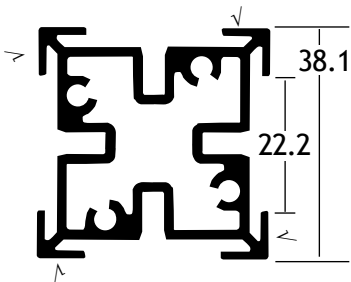
Stylmark post and panel systems are classic in design. They feature all aluminum components that can be mixed and matched to give the look you are trying to achieve. The post and panel system is designed modularly, allowing for easy installation, changeability and structural integrity.



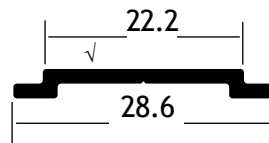
Post-in-Panel Systems



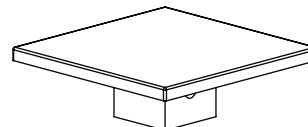
Part #170011
Corner Post
Stock Length = 2133.6mm



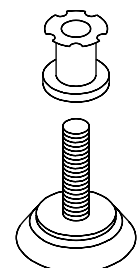
Part #170013
Corner Post Filler Strip
Stock Length = 2133.6mm



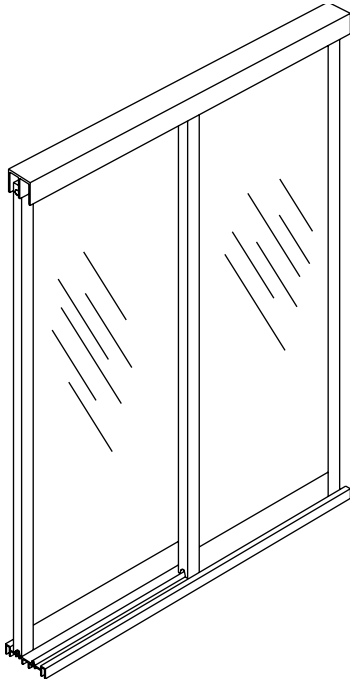
Part #470035
Corner Post Endcap



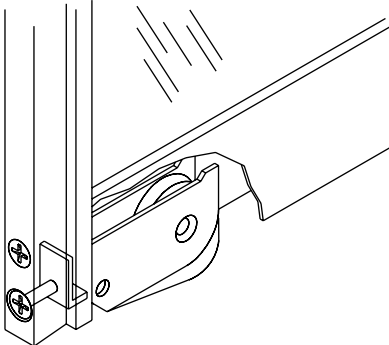
Part #570003
Leveler Assembly
Used to assure easy adjustability.



Wardrobe Doors



Cantilevered Rollers These wheels adjust easily to accommodate out-of-plumb field conditions and height variations plus 38.1mm and minus 15.9mm

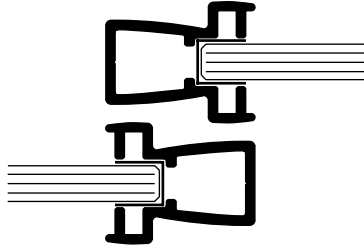


ORDERING WARDROBE DOORS		
MODEL #	DESCRIPTION	DIMENSIONS: WIDTH x HEIGHT
630017	2 DOOR CONVENTIONAL STYLE	OPENING SIZE
630019	2 DOOR SECURITY STYLE	OPENING SIZE
630021	3 DOOR CONVENTIONAL STYLE	OPENING SIZE
630022	3 DOOR SECURITY STYLE	OPENING SIZE

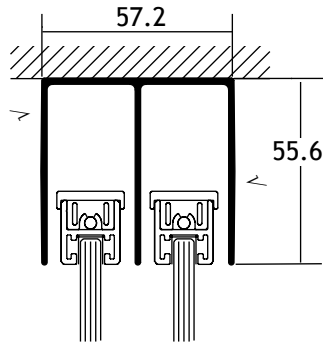
- Notes:
- Assemblies do not have a vertical jamb member.
 - The maximum weight per door must not exceed 56.8kg in weight, which is equivalent to a 1524.0mm x 2438.4mm door panel glazed with a 6.4mm mirror.
 - Security style doors accept up to 25.4mm diameter locks.

Wardrobe Doors

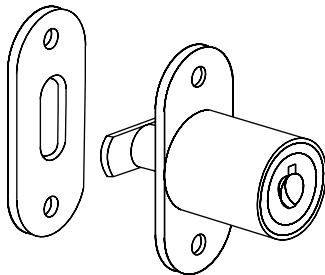
Conventional Door Style



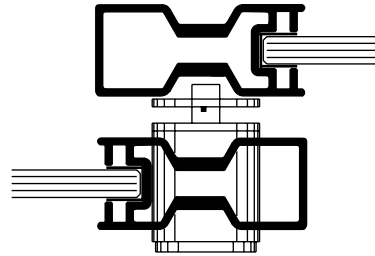
Part #130022
Wardrobe Door Header



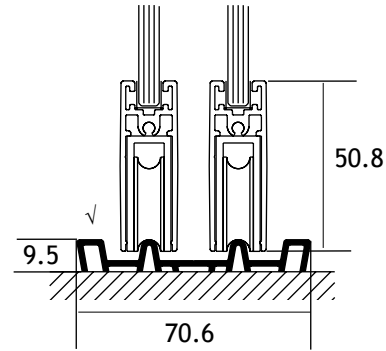
Part #530024*
T-Bolt Plunger Lock



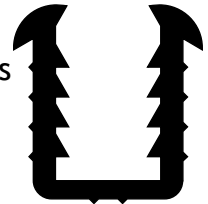
Security Door Style



Part #130023
Wardrobe Door Track



Part #139007
Glazing Vinyl for 6.4mm Panels



Wardrobe door assemblies come complete with an accessory package that includes: Rubber bumper, top guide wheel assembly, screws and lock (security style only).

√ = finished surface

Notes: • *Part #530024 used exclusively with security doors.

WARDROBE DOOR ACCESSORIES KIT	
PART#	DESCRIPTION
212030	8 x 1 PAN HEAD SCREW
212037	8 x 1 1/4 PAN HEAD SCREW
213036	8-32 X 1 9/16 SCREW
221015	RUBBER BUMPER
330017	TOP GUIDE
530011	WHEEL ASSEMBLY



Flexible • Collaborative • Transformative • Solutions

For companies that need more than “just the components”,
Stylmark is a versatile manufacturer that creates the
spectrum of essential elements - to create comprehensive
and distinctive lifestyle environments.

Architectural Trim & Moldings
Backlit Displays & Transparency Frames
Complete Solutions & Specialty Fixtures
Fitting Room Systems & Mirror Kits
Framing & Partition Systems
Hardware & Accessories
Shelving
Showcases
